

规格	尺寸(mm)						
	A	B	C	h1	h2	H	φBD
ZTY-A	37	50	25	7	45	80	10
ZTY-B	40	60	28	7	65	110	10
ZTY-C	70	90	40	15	90	150	12
ZTY-D	86	120	50	15	130	200	16

安装前，请确认减震器之型号规格是否正确。
Before installation, make sure the model and the specification are correct.

安装说明 Installation guide

- 所需工具：公制口径17mm (M10)、19mm (M12)、24mm (M16) 开口扳手。
- 先于安装位置处依据施工规范预埋符合荷重要求之基础螺栓。(如图1)
- 利用华司及螺帽将减震器固定于安装位置的预埋螺栓。(如图2)
- 将减震器与设备连结的牙条装上。(如图3)
- 使用上下2颗螺帽安装与设备连接的固定处，以方便调整；此时上部螺帽不须锁固。(如图4)
- 将设备安装或配管安装完成。
- 使用开口扳手调整下部螺帽来调整设备水平及弹簧压缩量。(如图5)
- 调整完成后将上下两颗螺帽相对锁固之，即可完成减震器安装调整。(如图6)
- 安装后请检查弹簧之下压量，如弹簧压实表示荷重不足无减震效果。应予更换较大荷重之规格，并请洽本公司业务人员。
- 安装时，请注意安全。
- Required tools: 17mm(M10), 19mm(M12), and 24mm(M16) open wrenches.
- Embed required foundation bolts according to the loading on the installation location (Fig 1).
- Elevate the equipment to the same height as the wooden panel with claw jack gradually (Fig 2).
- Install the hanger rod connecting the hanger and the equipment (Fig 3).
- Apply upper and lower nuts to fasten the installation on the equipment so it is easy to adjust. Do not lock the upper nuts (Fig 4).
- Complete the equipment and piping engineering installation.
- Apply the open wrench to adjust lower nuts for the balance of the equipment and the press amount for the spring (Fig 5).
- Lock the upper and lower nuts after adjusting (Fig 6).
- After the adjustment, check the press amount of the spring. If it appears with insufficient loading, please replace with bigger loading by contacting our staff.
- Be cautious during the installation.

保养点检项目：每月观察锁固螺栓保持锁固无脱离、保持减震器安装状态&弹簧下压挠度正常。
Maintenance checking points: remain fixed bolt and foundation bolt locked installation of the hanger, and the deflection of the spring monthly.

图解说明 Illustration

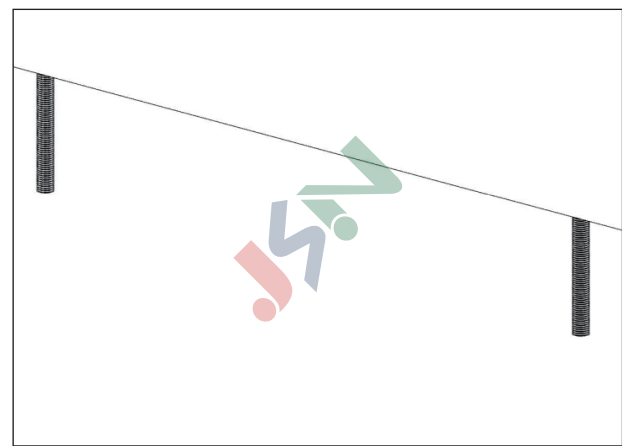


图1)在安装位置依据施工规范预埋符合荷重要求之基础螺栓。
Fig 1) Embed required foundation bolts according to the loading on the installation location.

图2)使用华司及螺帽将减震器与基础螺栓固定于安装位置上。
Fig 2) Fasten the hanger on the installation location with washer and nuts.

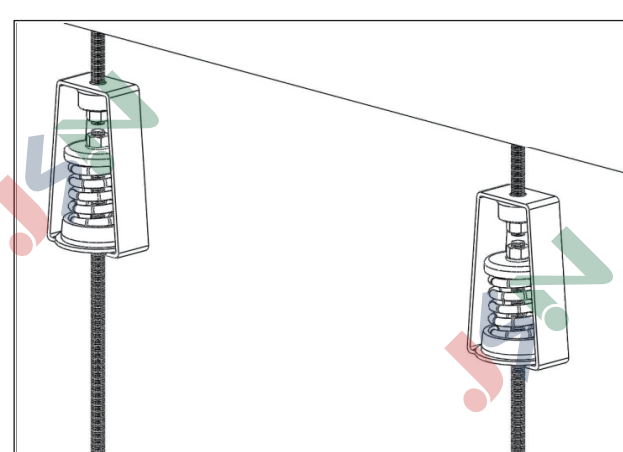
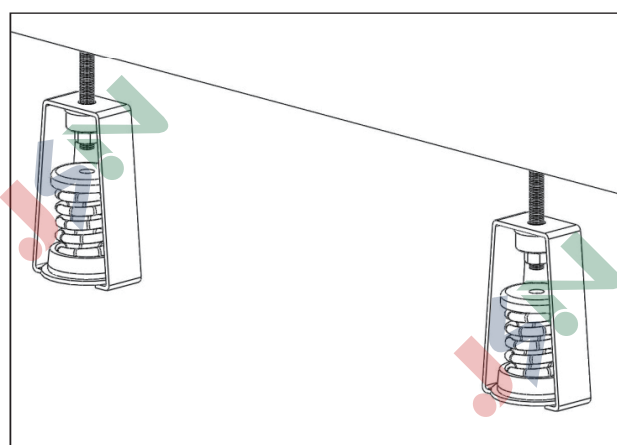


图3)使用华司及螺帽固定与设备连结的牙条。
Fig 3) Install the hanger rod connecting the hanger and the equipment.

图4)利用上下两颗螺帽将设备与减震器作安装，上部螺帽暂时不需锁紧。
Fig 4) Apply upper and lower nuts to install the equipment and the hanger. Do not lock the upper nuts.

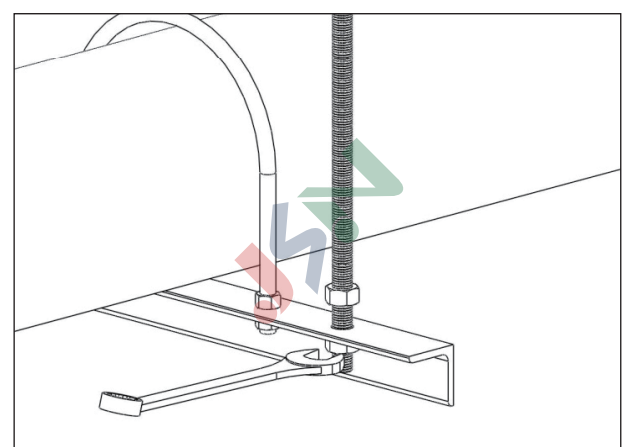
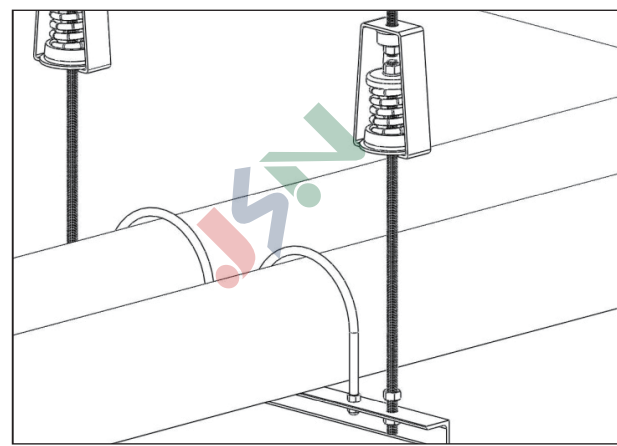


图5)使用开口扳手调整下部螺帽来调整设备水平与弹簧压缩量。
Fig 5) Apply the open wrench to adjust lower nuts for the balance of the equipment and the press amount for the spring.

图6)调整完毕后将上下两颗螺帽相对锁固，即可完成减震器安装调整。
Fig 6) Lock the upper and lower nuts after adjusting.

