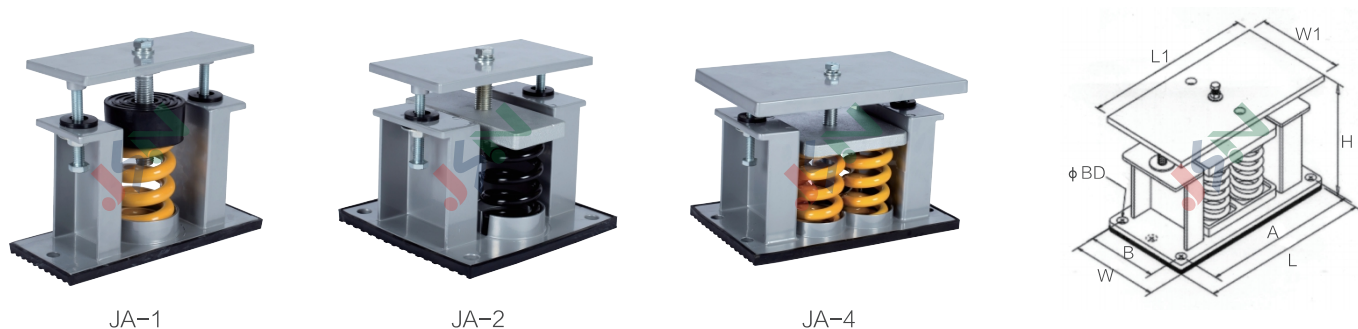


JA型弹簧式避震器安装说明 JA spring isolator installation guide

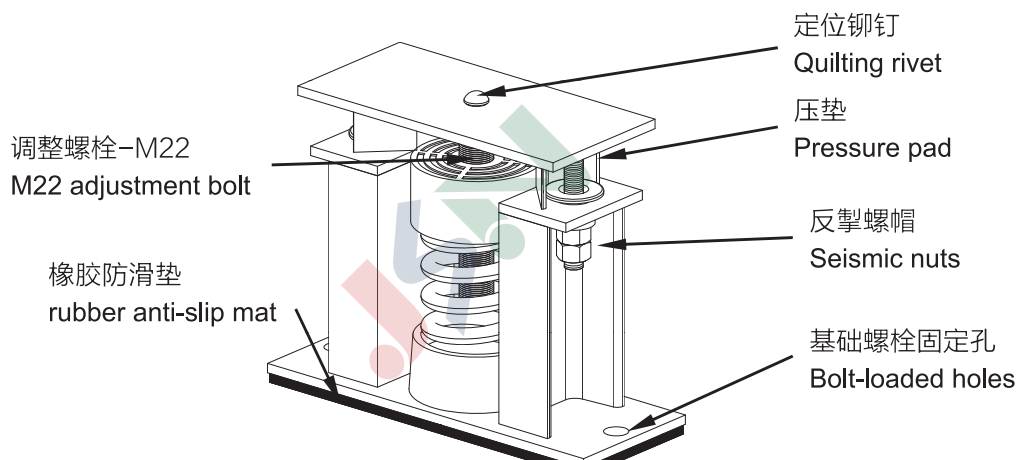


型号	外形尺寸(mm)							固定螺栓	φBD
	L	A	W	B	H	L1	W1		
JA-1	260	230	100	0	200	225	100	12	14
JA-2	235	195	220	180	200	235	120	12	15
JA-4	320	290	200	90	200	200	200	12	17
JA-6	400	370	170	140	200	400	170	12	18
JA-9	420	380	250	210	200	420	250	12	18

安装前，请确认避震器之型号规格是否正确。
Before installation, make sure the model and the specification are correct.

安装说明 Installation guide

- 所需工具：公制口径19mm (M12)、24mm (M16)、30mm (M20)、46mm (M30)开口扳手、爪式千斤顶。
- 在未完成避震器高度调整前，请勿将避震器之压垫取出。
- 请先依据基础螺栓固定孔的位置，于安装位置预埋基础螺栓。
- 避震器安放于安装位置后，先将定位铆钉拿掉。(如图1)
- 以固定螺栓将避震器与设备固定，但不锁紧。(如图2)
- 将避震器利用基础螺栓固定于地面上，并以临时木台固定高度。
- 调整避震器高度时先鬆脱两旁之反掣螺帽5~10mm，并相对锁固之。(如图3)
- 使用公制口径32mm 开口扳手以逆时针方向调整M22螺栓，使弹簧受力下压、避震器上盖铁上升。(如图4)
- 调整至压垫可取出时，即可停止调整并取出木台。(如图5)
- 将与设备固定螺栓完全锁紧，即完成安装调整。(如图6)
- 安装后请检查弹簧之下压量，如弹簧压实表示荷重不足无避震效果。应予更换较大荷重之规格，并请洽本公司业务人员。
- 安装时，请注意安全。
- Required tools: 19mm (M12), 24mm (M16) and 30mm (M20) and 46mm (M30) open wrenches and claw jack.
- Before completing the adjustment of the isolator, do not remove the pressure pad from the isolator.
- Embed foundation bolt according to the location of bolt-loaded holes.
- Remove quilting rivet after installing the isolator (Fig 1).
- Fasten the isolator and the equipment with fixed bolt without locking it (Fig 2).
- Fasten the isolator with foundation bolt on the ground and fix the height with wooden panel.
- Loosen the nuts on both sides for 5~10mm first before adjusting height of the isolator and lock them afterwards (Fig 3).
- Adjust M22 adjustment bolt in the anti-clockwise direction with 32mm open wrench to press down the spring and to raise the iron sheet (Fig 4).
- Adjustment can be stopped and wooden panel can be removed once you can take out the pressure pad (Fig 5).
- After the adjustment, lock the isolator with fixed bolt (Fig 6).
- After the adjustment, check the press amount of the spring. If it appears with insufficient loading, please replace with bigger loading by contacting our staff.
- Be cautious during the installation.



保养点检项目：每月观察固定螺栓&基础螺栓保持锁固、保持避震器安装状态&弹簧下压挠度正常。
Maintenance checking points: Check the mounting bolts, remain fixed bolt locked, installation of the isolator, and the deflection of the spring.

图解说明 Illustration

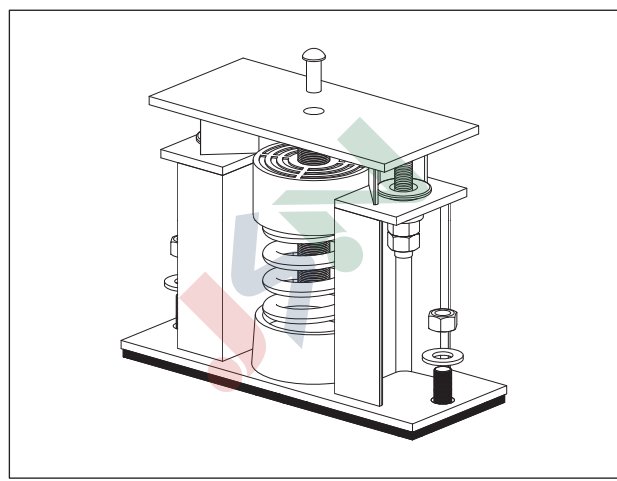


图1) 将定位铆钉取出，并以木台固定高度。
Fig 1) Remove quilting rivet and fix the height with wooden panel.

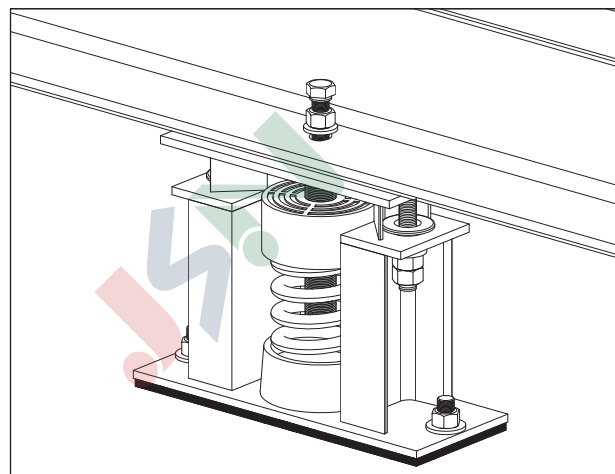


图2) 以螺栓将避震器与设备固定，但不锁紧；同时以基础螺栓将避震器固定。
Fig 2) Fasten the isolator and the Equipment With fixed bolt without locking it. Fasten the isolator with foundation bolt.

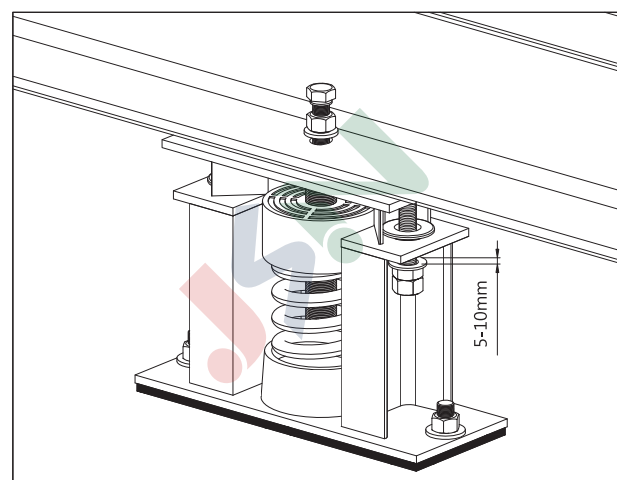


图3) 调整避震器高度时，先鬆脱两旁之反掣螺帽5~10mm，并相对锁固之。
Fig 3) Loosen the nuts on both sides for 5~10mm first before adjusting height of the isolator and lock them afterwards.

图4) 使用公制口径32mm板手以逆时针方向调整螺栓，使弹簧下压、避震器上盖铁上升。
Fig 4) Adjust the bolt in the anti-clockwise direction with 32mm open wrench to press down the spring and to raise the iron sheet.

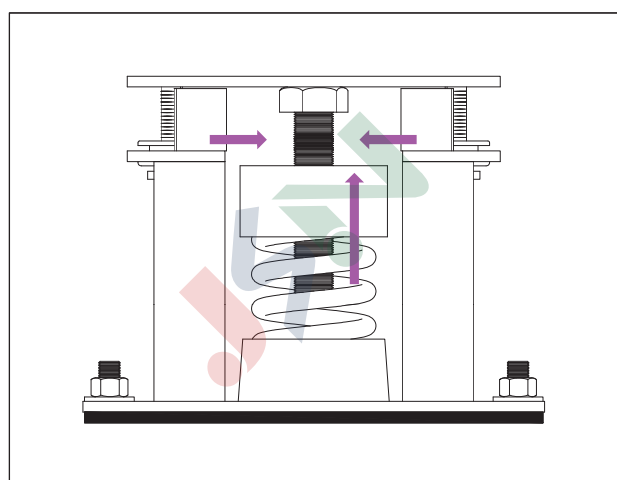
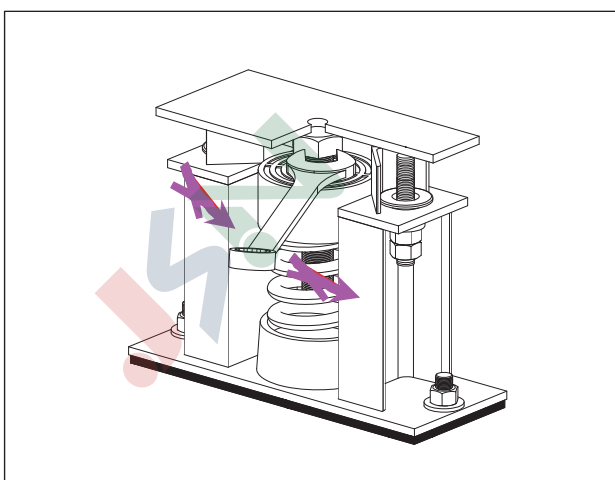


图5) 调整至避震器上盖铁昇高，压垫可以取出时即可完成调整并取出木台。
Fig 5) Adjust until the iron sheet of the isolator arises. Adjustment can be stopped and wooden panel can be removed once you can take out the pressure pad.

图6) 将螺栓与设备完全锁紧后，即完成避震器安装调整。
Fig 6) After the adjustment, lock the isolator With fixed bolt 5-10mm.

